



PUSH WIRE® connector for junction boxes; 3-conductor terminal block; transparent housing; red cover

Item No.: 773-173



PUSH WIRE® connector for junction boxes; 3-conductor terminal block; transparent housing; red cover

Marking

RoHS ✓
Compliant

Business data

| | |
|-----------------------------|---------------|
| <i>Supplier</i> | WAGO |
| <i>Item no.</i> | 773-173 |
| <i>GTIN / EAN</i> | 4050821215141 |
| <i>Content</i> | 1 |
| <i>Order amount</i> | 50 |
| <i>Customer item number</i> | |

Notes

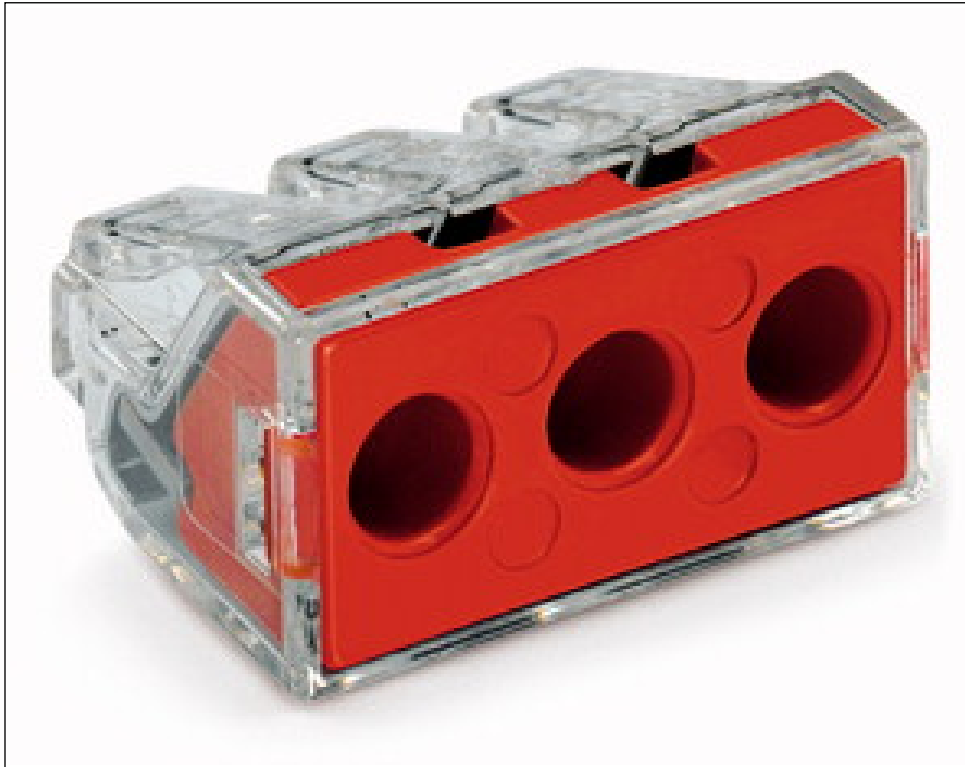
Technical data

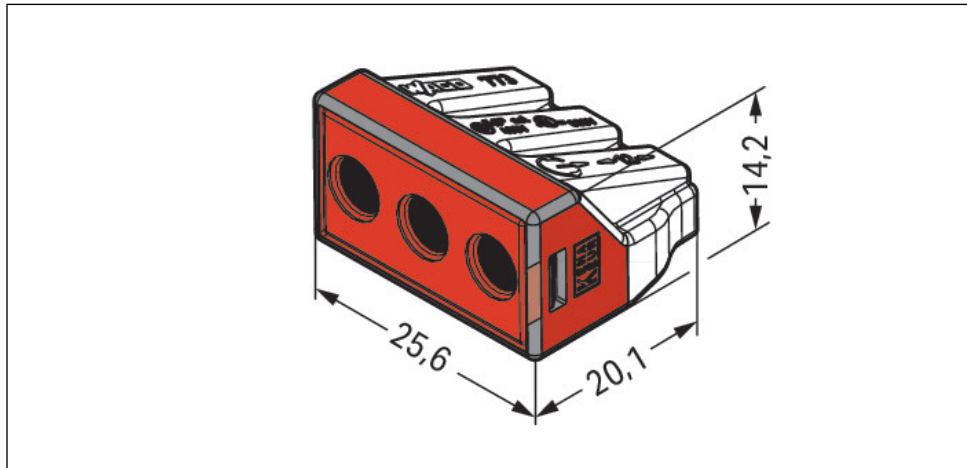
Miscellaneous

| | |
|--|---|
| <i>Safety information 1</i> | <i>In grounded power lines</i> |
| <i>Connection technology</i> | <i>PUSH WIRE®</i> |
| <i>Actuation type</i> | <i>Push-in</i> |
| <i>Connectable conductor materials</i> | <i>Copper</i> |
| <i>Solid conductor</i> | <i>2.5 ... 6 mm² / 14 ... 10 AWG</i> |
| <i>Stranded conductor</i> | <i>2.5 ... 6 mm² / 14 ... 10 AWG</i> |

| Technical data | |
|--|--|
| <i>Strip length</i> | <i>12 ... 13 mm / 0.47 ... 0.51 Inch</i> |
| <i>Total number of connection points</i> | <i>3</i> |
| <i>Total number of potentials</i> | <i>1</i> |
| <i>Type of wiring</i> | <i>Side-entry wiring</i> |
| <i>Width</i> | <i>25.6 mm / 1.008 in</i> |
| <i>Height</i> | <i>14.2 mm / 0.559 in</i> |
| <i>Depth</i> | <i>20.1 mm / 0.791 in</i> |
| <i>Color</i> | <i>transparent</i> |
| <i>Cover color</i> | <i>red</i> |
| <i>Flammability class per UL94</i> | <i>V2</i> |
| <i>Fire load [MJ]</i> | <i>0.113 [MJ]</i> |
| <i>Weight [g]</i> | <i>5.76 [g]</i> |
| <i>Surrounding air (operating) temperature</i> | <i>60 °C</i> |
| <i>Continuous operating temperature up to [°C]</i> | <i>105 [°C]</i> |
| <i>Packaging type</i> | <i>BOX</i> |
| <i>[mm]</i> | <i>25.6 [mm]</i> |
| <i>Main product function</i> | <i>Push-in terminal block</i> |
| <i>Product type</i> | <i>Splicing connectors</i> |

Images & drawings





Address

WAGO Kontakttechnik GmbH & Co. KG

Hansastr. 27

32423 Minden

Telefon: 0571/887-0

Fax: 0571/887-169

<http://www.wago.com>

© WAGO Kontakttechnik GmbH & Co. KG

Technische Änderungen und Irrtümer vorbehalten.